



PW306

Sealed 3-Finger-Parallel-Angular-Gripper - Design PW306 -

Characteristics:

- parallel finger movement
- fingers move out of gripping area
- enormous stroke
- high gripping force
- short cycle time
- completely capsuled mechanics
- user defines installation position
- maintenance free up to 10 million movements
- compact design
- multiple position monitoring through proximity switch possible, optional

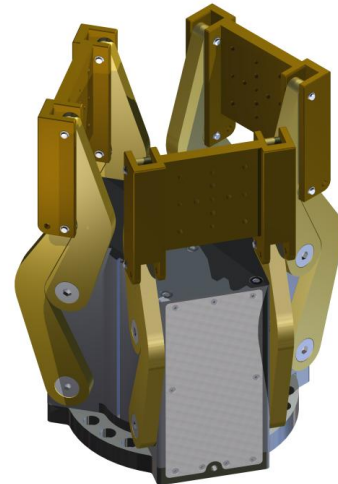


Illustration: PW306-00-00

Technical Data

Type		PW306
Stroke (delta Ø)		476 mm
Gripping Width		incircle- Ø 132 mm – incircle- Ø 792mm
Gripping Force per finger (at 6 bar) *		237 N – 1.500 N
Drive		pneumatic
Operating Pressure		2,5 to 6 bar
Cycle time	Open	1,5 s
	Close	1,5 s
Energy consumption per cycle (at 6bar)		3,5 liter
Operating Temperature		-30 to +80°C
Mass		40 kg
Loading capacity* per finger with gripping mass and Acceleration	Mx _{max.}	250 Nm
	My _{max.} (gripping)	170 Nm **
	Fz _{max.}	50.000 N
	Mz _{max.}	150 Nm

* Rectangular force on shoe support

** At closed fingerposition



Hausanschrift:

GMG – Gesellschaft für modulare Greifersysteme mbH
Rödingerweg 8H
D-59494 Soest (Germany)

Telefon:

+49 (0)2921 – 4062

Telefax:

+49 (0)2921 - 4042

E-Mail:

info@gmg-system.com

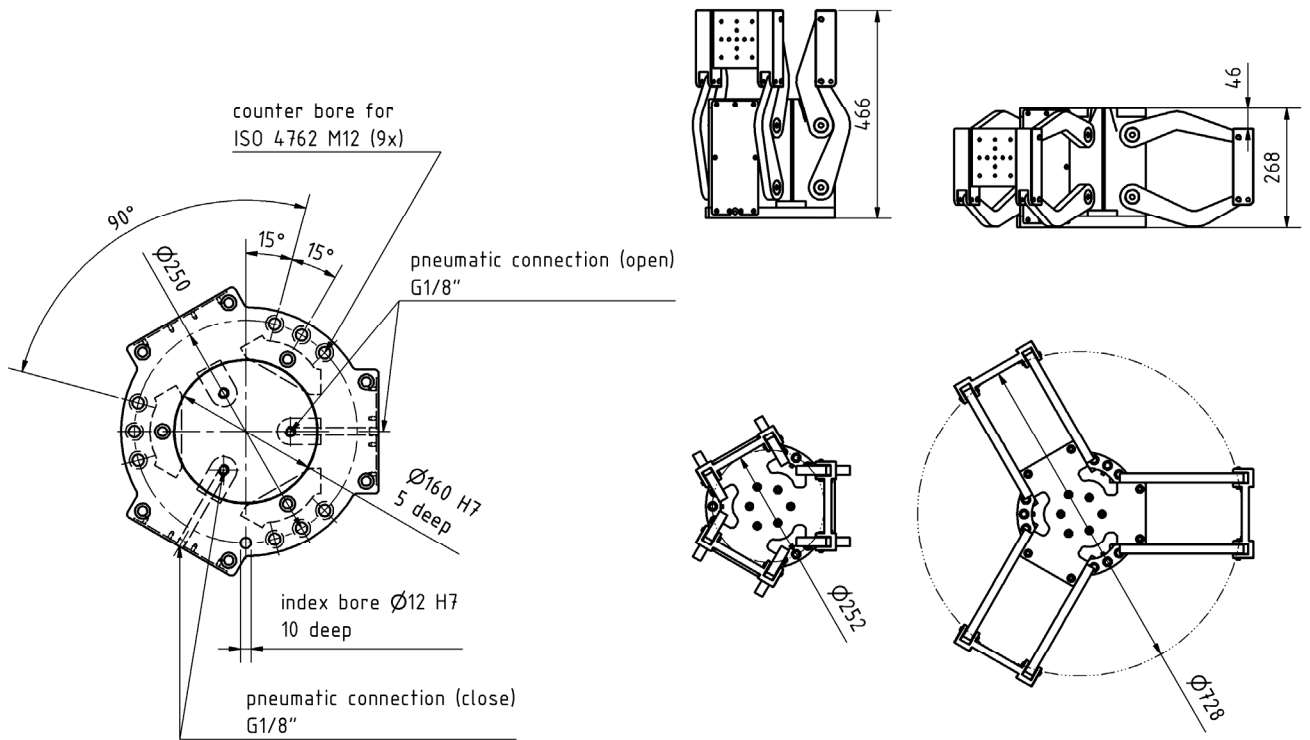
Internet:

http://www.gmg-system.com

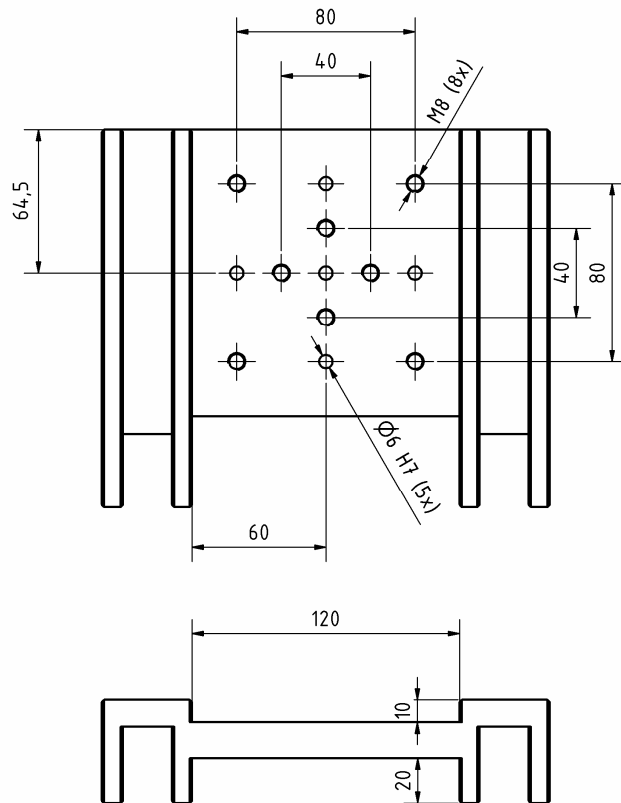


PW306

Dimension Sheet



Shoe Support



Parallel-Angular-Gripper PW306



Hausanschrift:
GMG – Gesellschaft für modulare Greifersysteme mbH
 Rödingerweg 8H
 D-59494 Soest (Germany)

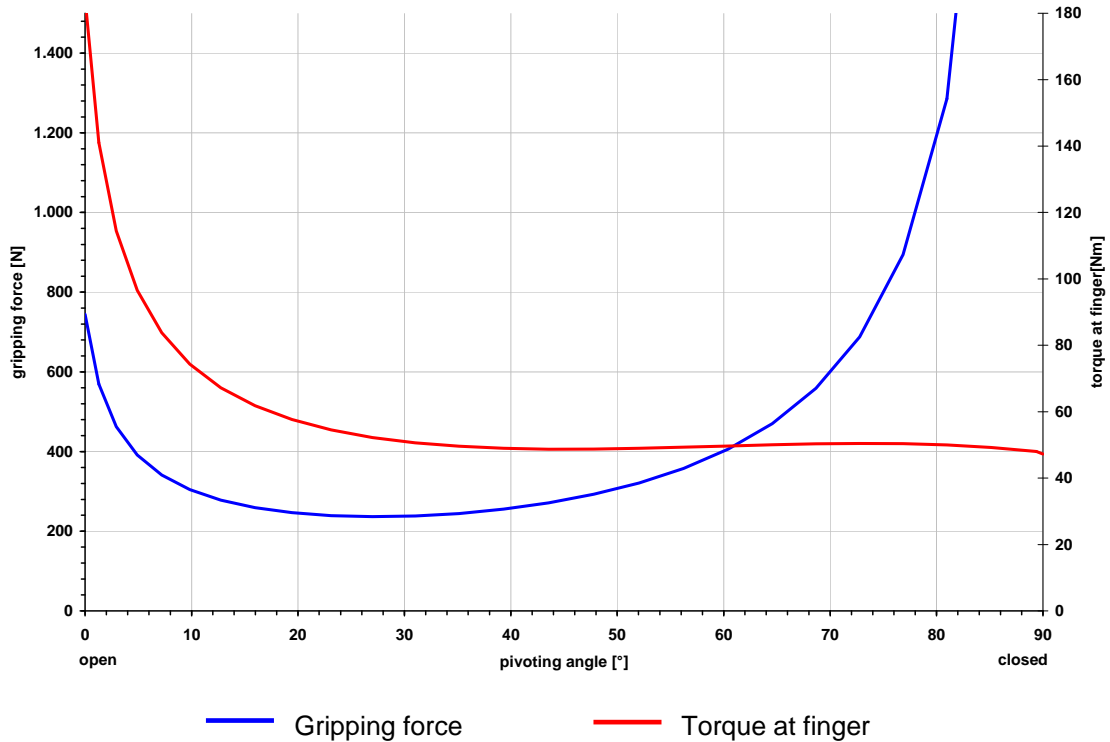
Telefon:
 +49 (0)2921 – 4062
Telefax:
 +49 (0)2921 - 4042

E-Mail:
 info@gmg-system.com
Internet:
 http://www.gmg-system.com



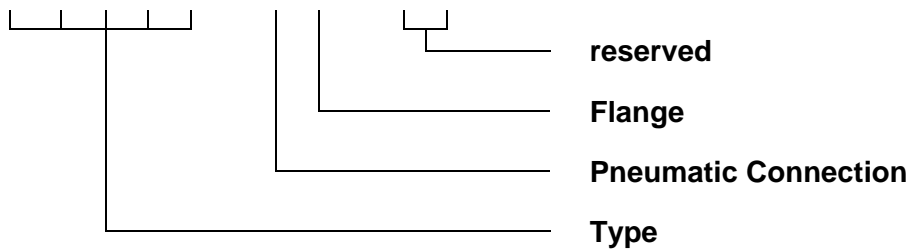
PW306

Diagram



Order Number

P W 3 0 6 - **O** - **0 0**



Pneumatic Connection	
Style	Ident.
Pneumatic Connection Top/Bottom	O
Pneumatic Connection at Bottom Plate (Flange)	F

Flange	
Style	Ident.
Without Flange	O



Hausanschrift:
GMG – Gesellschaft für modulare Greifersysteme mbH
 Rodingerweg 8H
 D-59494 Soest (Germany)

Telefon:
 +49 (0)2921 – 4062
Telefax:
 +49 (0)2921 - 4042

E-Mail:
 info@gmg-system.com
Internet:
 http://www.gmg-system.com